

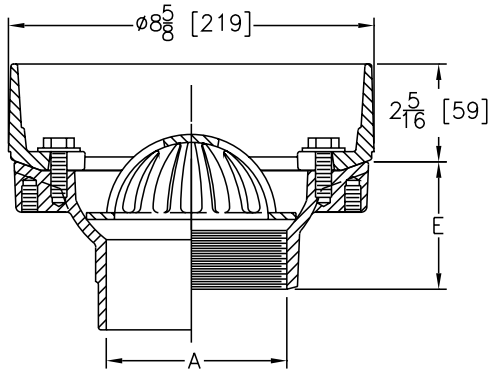
Z127 8-1/2" DIAMETER DECK RECEPTOR DRAIN



ENGINEERING SPECIFICATION

Zurn Z127 8-1/2" diameter deck receptor drain features Dura-Coated cast iron body with combination membrane flashing clamp/deck receptor frame and internal dome strainer.

| A Pipe Size inches [mm] | Approximate Weight lb [kg] |
|----------------------------|-------------------------------|
| 2 [51], 3 [76], 4 [102] | 19 [9] |



| PREFIXES | DESCRIPTION | PIPE SIZE | LIST PRICE |
|----------|---------------------------|------------|------------|
| Z127* | D.C.C.I. Body with Collar | 2", 3", 4" | 593.00 |

OUTLETS (SPECIFY PIPE SIZE IN INCHES AND TYPE OF OUTLET)

| OUTLET TYPE | OUTLET DESIGNATION (PIPE SIZE/OUTLET TYPE) | E BODY HT. DIM. | ADD |
|-------------|---|--------------------|---------------|
| IC | Inside Caulk | 2IC, 3IC, 4IC | 3-7/8" N/C |
| IP | Threaded | 2IP | 2-7/16" 80.00 |
| | | 3IP | 2-3/4" 80.00 |
| | | 4IP | 3" 80.00 |
| NH | No-Hub | 2NH, 3NH, 4NH | 3-31/32" N/C |
| NL | Neo-Loc (not recommended for roof drains) | 2NL, 3NL, 4NL | 3-27/32" N/C |

SUFFIXES

| SUFFIXES | ADD |
|----------|--|
| -AR | Acid Resistant Epoxy Coated Finish 764.00 |
| -C | Underdeck Clamp 150.00 |
| ⓐ -DP | Top-Set® Roof Deck Plate (Replaces -C and -R) 339.00 |
| -E | 2" High Static Extension D.C.C.I. 171.00 |
| | Galv. 326.00 |
| | For Each Additional 1" above 2" - Per Inch D.C.C.I. 87.00 |
| | Galv. 165.00 |
| ⓐ -EB | Top-Set Adjustable Extension Assembly 503.00 |
| -G | Galvanized Cast Iron 198.00 |
| -HD | High Dome N/C |
| -R | Roof Sump Receiver 257.00 |
| ⓐ -TC | Neo-Loc Test Cap Gasket (2", 3", 4" NL Bottom Outlet Only) 24.00 |

BEST SELLERS

| BEST SELLERS | LIST PRICE |
|--------------|------------|
| Z127-2NH | 593.00 |
| Z127-2NH-DP | 932.00 |

Supplied By:



877-903-7246

www.commercialplumbingsupply.com

*Regularly furnished unless otherwise specified.

Items designated as Best Sellers are most specified and are generally in stock for shipment.

ⓐ This symbol denotes a product that is engineered to reduce installation and rework time.

For additional product information, please visit www.zurn.com.